

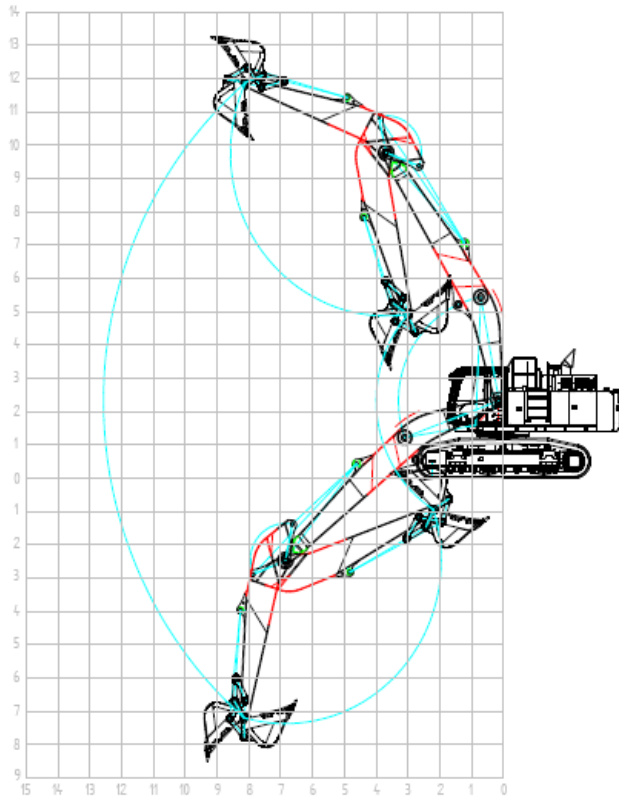
EXCAVATORS

Egenskaber

- Weight: 55 tons
- Reach: 14,8 metres
- Hydraulic quick coupler
- Custom-built arm
- Rock bucket, digging bucket, grading bucket
- Leica GPS equipment

HITACHI ZX490LCH-6



HITACHI ZX490LCH-6

DIMENSIONS

Boom length 8.200
 Arm length 5.000

A	Distance front and rear axles	4.470
B	Undercarriage length	5.470
C	Counterweight clearance	1.360
D	Tail swing radius	3.670
D ¹	Rear-end length	3.660
E	Overall width of upperstructure	3.480
F	Overall height of cab	3.330
G	Min. ground clearance	737
H	Track width, extended	2.890
	Track width, retracted	2.390
I	Track shoe width	750
J	Undercarriage width, extended	3.690
	Undercarriage width, retracted	3.140
K	Total width	3.820
L	Total length	12.800
M	Overall height of boom	3.480
N	Shoe width, triple grouser	1.220
O	Overall height of base machine	3.530

Alle mål i MM

