

EXCAVATORS

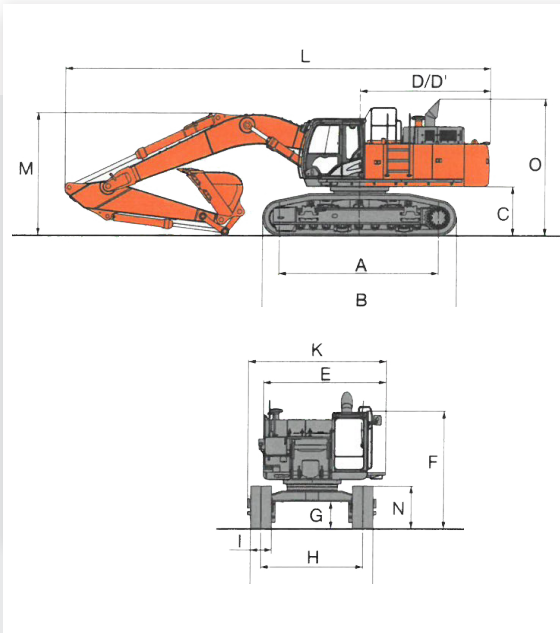
HITACHI ZX470LC-5B

Specifications

- Weight: 55 t
- Reach: 14.8 m
- Hydraulic quick coupler
- Bucket capacity: 2.6 m³
- Stone bucket, digging bucket, grab bucket, tilt bucket, grading bucket
- Leica GPS equipment



HITACHI ZX470LC-5B



DIMENSIONS

Boom length	8.200
Arm length	5.000
A Distance front and rear axles	4.470
B Undercarriage length	5.470
C Counterweight clearance	1.360
D Tail swing radius	3.670
D ¹ Rear-end length	3.660
E Overall width of upperstructure	3.480
F Overall height of cab	3.330
G Min. ground clearance	737
H Track width, extended	2.890
Track width, retracted	2.390
I Track shoe width	600
J Undercarriage width, extended	3.490
Undercarriage width, retracted	2.990
K Total width	3.820
L Total length	12.010
M Overall height of boom	3.480
N Shoe width, triple grouser	1.220
O Overall height of base machine	3.870

All measurements are in millimetres.

